

**4-10 HORSEPOWER**

Thru Hub Exhaust & 8 Tooth Spline

MODEL 40 .....1973-75                      MODEL 45 .....1973-81                      7.5 HP .....1976

		<b>ALUMINUM PROPS</b>					
BOAT DESCRIPTION/LENGTH	Dia.	Rot.	Pitch	Bld#	Mat'l	OEM Part No.	Part No.
Standard Replacement	9	R	9	2	AL	48-47922A10	<b>032021</b>
14-16' - AL	9	R	7	3	AL	48-47670A10	<b>032020</b>



**Rubber Hub Bushing**

**6-15 HORSEPOWER**

Thru Hub Exhaust & 8 Tooth Spline

6, 8, 9.9 HP (2-Stroke) .....1986 & Newer                      9.9 HP (4-Stroke - Not Bigfoot) .....1995 - 2004                      10, 15 HP (Sea Pro/Marathon) .....1995 & Newer  
 8 HP (4-Stroke - Not Bigfoot) .....1995 - 2004                      10 HP .....1995 & Newer                      15 HP (2 & 4-Stroke) .....1989 - 2006

		<b>ALUMINUM PROPS</b>					
BOAT DESCRIPTION/LENGTH	Dia.	Rot.	Pitch	Bld#	Mat'l	OEM Part No.	Part No.
16-20' - AL	9-1/4	R	7	3	AL	48-828152A12	<b>032056</b>
14-18' - AL	9	R	9	3	AL	48-828156A12	<b>032052</b>
14-16' - AL	9	R	10-1/2	3	AL	48-828158A12	<b>032050</b>



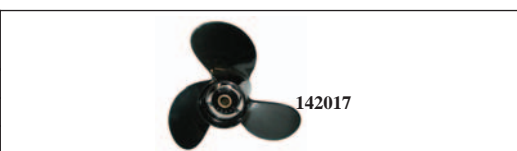
**Rubber Hub Bushing**

**8-9.9 HORSEPOWER**

Thru Hub Exhaust & 14 Tooth Spline

8 HP (4-Stroke - Not Bigfoot) .....2005 & Newer                      9.9 HP (4-Stroke - Not Bigfoot) .....2005 & Newer

		<b>ALUMINUM PROPS</b>					
BOAT DESCRIPTION/LENGTH	Dia.	Rot.	Pitch	Bld#	Mat'l	OEM Part No.	Part No.
12-16' - AL	9.2	R	8.4	3	AL	362-64102-0	<b>142017</b>



**Rubber Hub Bushing**

**MERC 20**

Thru Hub Exhaust & 8 Tooth Spline

Merc. 20 .....1963-81

		<b>ALUMINUM PROPS</b>					
BOAT DESCRIPTION/LENGTH	Dia.	Rot.	Pitch	Bld#	Mat'l	OEM Part No.	Part No.
Standard Replacement	9-7/8	R	11	2	AL	48-33480A1	<b>032135</b>
14-16' - AL	10	R	9	3	AL	48-86962A4	<b>032136</b>



**Rubber Hub Bushing**

**9.9-25 HORSEPOWER**

Thru Hub Exhaust & 10 Tooth Spline

9.9, 15 HP (4-Stroke, Bigfoot / Sail) .1999 - 2005                      20 HP (Mercury) .....1986 & Newer                      25 HP (2-Stroke Mariner) .....1985 & Newer  
 18 HP (Mercury) .....1980-85                      25 HP (2-Stroke Mercury) .....1980 & Newer                      25 HP (Sea Pro/Marathon) .....All Years

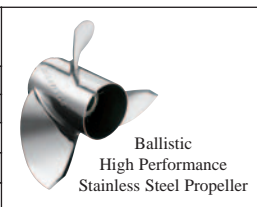
		<b>3-BLADE</b>			
BOAT DESCRIPTION/LENGTH	Dia.	Rot.	Pitch	Part No.	
	10-1/2	R	9	<b>992501</b>	
	10-1/2	R	10	<b>992502</b>	
15-19'	10-1/2	R	11	<b>992503</b>	
13-17'	10-1/8	R	12	<b>992504</b>	
13-17'	10-1/8	R	13	<b>992505</b>	
Up to 14'	10-1/8	R	14	<b>992506</b>	



**Drop-In Hub**  
 Use XHS™ Hub Kit **120**  
 Refer to pages 39-40 for more details.

		<b>ALUMINUM PROPS</b>					
BOAT DESCRIPTION/LENGTH	Dia.	Rot.	Pitch	Bld#	Mat'l	OEM Part No.	Part No.
15-19'	10-3/8	R	11	3	AL	48-19638A40	<b>031049</b>
13-17'	10-3/8	R	13	3	AL	48-19640A40	<b>031048</b>
Up to 14'							

<b>BALLISTIC</b>				
Dia.	Rot.	Pitch	Bld#	Part No.
10-1/8	R	13	3	<b>305129</b>
10-1/8	R	15	3	<b>305130</b>



**Rubber Hub Bushing**

**15-25 HORSEPOWER • MARINER**

Non-Thru Hub & Pin Drive

15 HP .....1976-81                      W15 .....1977-85                      25 HP .....1977-79  
 15A .....1979-82                      20 HP .....1976-79

BOAT DESCRIPTION/LENGTH									Rubber Hub Bushing
	ALUMINUM PROPS								
	Dia.	Rot.	Pitch	Bld#	Mat'l	OEM Part No.	Part No.		
	HB, SB	9-1/4	R	7	3	AL	48-96628		
12-14' HL	9	R	10	3	AL	48-96625	012011		
12-14' - AL	9-1/4	R	11	3	AL	48-96623	012013		

**25-30 HORSEPOWER • MARINER • 3-1/4" GEARCASE**

Thru Hub Exhaust & 10 Tooth Spline

25 HP .....1980-84                      28 HP .....1976-79                      30 HP .....1979-90

BOAT DESCRIPTION/LENGTH									Rubber Hub Bushing
	ALUMINUM PROPS								
	Dia.	Rot.	Pitch	Bld#	Mat'l	OEM Part No.	Part No.		
	16-18' - AL, SK	9-7/8	R	9	3	AL	48-81647		
14-17' - AL, SK	9-7/8	R	10-1/2	3	AL	48-81649	022002		
13-16' - LL	9-3/8	R	12	3	AL	48-82826	022003		

**25-30 HORSEPOWER • MERCURY • 3-1/4" GEARCASE**

Thru Hub Exhaust & 10 Tooth Spline

25 HP (4-Stroke - Not Bigfoot) ....2006 & Newer                      30 HP (4-Stroke - Not Bigfoot) ...2006 & Newer

BOAT DESCRIPTION/LENGTH						Drop-In Hub Use XHS™ Hub Kit <b>122</b> Refer to pages 39-40 for more details.	
	3-BLADE						
	Dia.	Rot.	Pitch	Part No.			
	16-20' - AL	10-1/2	R	9			992501
	14-18' - AL	10-1/2	R	10			992502
	14-18' - AL	10-1/2	R	11			992503
	14-18' - AL	10-1/8	R	12			992504
12-16' - AL	10-1/8	R	13	992505			
12-16' - AL	10-1/8	R	14	992506			

BOAT DESCRIPTION/LENGTH												Rubber Hub Bushing		
	ALUMINUM PROPS							BALLISTIC						
	Dia.	Rot.	Pitch	Bld#	Mat'l	OEM Part No.	Part No.	Dia.	Rot.	Pitch			Bld#	Part No.
	16-20' - AL	10.2	R	8.3	3	AL	346-64106-5	142020	10-1/8	R			13	3
12-16' - AL								10-1/8	R	15	3	305430		
12-16' - AL														

**MODELS 402-500 (1974-76), 650, 60 HP**

Thru Hub Exhaust & 13 Tooth Spline

MODEL 402-500 .....1974-76                      MODEL 650 .....1972-76                      60 HP (Mariner) .....1976

BOAT DESCRIPTION/LENGTH										Drop-In Hub Use XHS™ Hub Kit <b>114</b> Refer to pages 39-40 for more details.				
	3-BLADE				4-BLADE						STD 3-BLADE			
	Dia.	Rot.	Pitch	Part No.	Dia.	Rot.	Pitch	Part No.			Dia.	Rot.	Pitch	Part No.
					11-1/2	R	8	992401						
				11-1/2	R	9	992402							
19-22' - AL, SK				11-1/2	R	10	992403							
17-19' - AL, SK	10-3/8	R	11	992404										
16-17' - AL, SK	10-3/8	R	12	992405				10-3/4	R	12	993405			
14-16' - LL	10-3/8	R	13	992406				10-1/2	R	13	993406			
12-14' - LL	10-3/8	R	14	992407				10-3/8	R	14	993407			
12-14' - LL	10	R	15	992408				10-1/8	R	15	993408			
12-14' - LL	10	R	16	992409										

**MODELS 402-500 (1974-76), 650, 60 HP (Continued)**

Thru Hub Exhaust & 13 Tooth Spline

MODEL 402-500 .....1974-76                      MODEL 650 .....1972-76                      60 HP (Mariner) .....1976

BOAT DESCRIPTION/LENGTH	MICHIGAN MATCH REPLACEMENT PROPELLERS							BALLISTIC™ STAINLESS STEEL PROPS				
	ALUMINUM PROPS							BALLISTIC				
	Dia.	Rot.	Pitch	Bld#	Mat'l	OEM Part No.	Part No.	Dia.	Rot.	Pitch	Bld#	Part No.
19-22' - AL	11-3/4	R	10	3	AL	48-61812A1	<b>032045</b>					
19-22' - AL	12-1/4	R	10	3	AL		★ <b>031072</b>					
17-19' - AL, SK	12	R	11	3	AL	48-61814A1	<b>032044</b>					
16-17' - AL, SK	11-3/8	R	12	3	AL	48-61816A1	<b>032043</b>					
14-16' - LL	11-1/8	R	13	3	AL	48-61818A1	<b>032042</b>	10-1/8	R	13	3	<b>395929</b>
12-14' - LL	11-1/4	R	14	3	AL	48-61820A1	<b>032041</b>					
12-14' - LL	11	R	15	3	AL	48-61822A1	<b>032040</b>	10-1/8	R	15	3	<b>395930</b>



032042

**Rubber Hub Bushing**

Use OEM fwd washer 65758 aft washer 62124

**25-70 HORSEPOWER • 3-1/4" GEARCASE**

Thru Hub Exhaust & 13 Tooth Spline

MODEL 402-500-700 .....1977-84                      40 HP (2 & 4-Stroke) (Not Bigfoot) ..1977 & Newer                      55 HP (Mercury/Sea Pro/Marathon) ...1995 & Newer  
 25 HP Bigfoot (4-Stroke) .....1999-2005                      40 HP (Sea Pro/Marathon) .....1977 & Newer                      60 HP (Not Bigfoot or Sea Pro) ....1978 & Newer  
 30 HP (2 & 4-Stroke) .....1994-2005                      45 HP .....1986-89                      60 HP (2 & 4-Stroke) (Not Bigfoot) .1978 & Newer  
 30 HP (Sea Pro/Marathon) .....1994 & Newer                      48 HP (Mariner) .....All Years                      70 HP .....Thru 1983  
 35 HP .....1984-89                      50 HP (2 & 4-Stroke) (Not Bigfoot) ..1977 & Newer

BOAT DESCRIPTION/LENGTH	VORTEX XHS™ HIGH PERFORMANCE ALUMINUM PROPELLERS				APOLLO™ ULTIMATE PERFORMANCE STAINLESS STEEL PROPELLERS							
	3-BLADE		4-BLADE		STD 3-BLADE							
	Dia.	Rot.	Pitch	Part No.	Dia.	Rot.	Pitch	Part No.	Dia.	Rot.	Pitch	Part No.
					11-1/2	R	8	<b>992401</b>				
					11-1/2	R	9	<b>992402</b>				
					11-1/2	R	10	<b>992403</b>				
16-18' - AL, SK	10-3/8	R	11	<b>992404</b>								
15-17' - AL, SK	10-3/8	R	12	<b>992405</b>					10-3/4	R	12	<b>993405</b>
14-17' - AL, SK	10-3/8	R	13	<b>992406</b>					10-1/2	R	13	<b>993406</b>
14-16' - LL	10-3/8	R	14	<b>992407</b>					10-3/8	R	14	<b>993407</b>
Up to 15' - LL	10	R	15	<b>992408</b>					10-1/8	R	15	<b>993408</b>
Up to 15' - LL	10	R	16	<b>992409</b>								



Apollo XHS Stainless Steel

**Drop-In Hub**

Use XHS™ Hub Kit **114**

Refer to pages 39-40 for more details.

BOAT DESCRIPTION/LENGTH	MICHIGAN MATCH REPLACEMENT PROPELLERS							BALLISTIC™ STAINLESS STEEL PROPS				
	ALUMINUM PROPS							BALLISTIC				
	Dia.	Rot.	Pitch	Bld#	Mat'l	OEM Part No.	Part No.	Dia.	Rot.	Pitch	Bld#	Part No.
19' & Up	12-1/2	R	8	3	AL	48-42738A10	<b>032141</b>					
17-19' - AL, SK	11-1/4	R	10	3	AL	48-73132A40	<b>031015</b>					
16-18' - AL, SK	12	R	10-1/2	3	AL	48-42740A10	<b>032142</b>					
16-18' - AL, SK	10-7/8	R	11	3	AL	48-85632A40	<b>031053</b>					
15-17' - AL, SK	10-3/4	R	12	3	AL	48-816702A40	<b>031056</b>					
15-17' - AL, SK	10-5/8	R	12	3	AL	48-73134A40	<b>031016</b>					
14-17' - AL, SK	10-1/2	R	13	3	AL	48-816704A40	<b>031057</b>	10-1/8	R	13	3	<b>395129</b>
14-17' - AL, SK	10-3/8	R	13	3	AL	48-73136A40	<b>031017</b>					
14-16' - LL	10-3/8	R	14	3	AL	48-816706A40	<b>031058</b>					
14-16' - LL	10-1/4	R	14	3	AL	48-73138A40	<b>031018</b>					
Up to 15' - LL	10-1/8	R	15	3	AL	48-73140A40	<b>031019</b>	10-1/8	R	15	3	<b>395130</b>
Up to 15' - LL	10	R	17	3	AL	48-73144A40	<b>031020</b>					



031017

**Rubber Hub Bushing**

Use OEM fwd washer 73345A1 tab washer 14-76281



Ballistic Stainless Steel Propeller

Key to abbreviations: LL = Light Loads; SB = Sailboat; AL = All Loads; SK = Skiboat; WB = Workboat; HB = Houseboat; CR = Cruisers; HL = Heavy Loads; WD = Weedless

★ Indicates a cupped propeller.                      ► LIMITED INVENTORY ITEMS.

## 40-140 HORSEPOWER • 4-1/4" GEARCASE

Thru Hub Exhaust & 15 Tooth Spline

40, 50 HP (Bigfoot, 4-Stroke) . . . . .All Years	90 HP (2 & 4-Stroke) . . . . .1978 & Newer	▼ 650 2 Cyl. . . . .Thru 1971
60 HP (Bigfoot / 4-Stroke) . . . . .1995 & Newer	100 HP . . . . .1988 & Newer	▼ 800-850 6 Cyl. . . . .Thru 1972
60 HP (Sea Pro/Marathon) . . . . .1995 & Newer	115 HP . . . . .1978 & Newer	▼ 800-850 4 Cyl. . . . .1972-77
70 HP . . . . .1987-89	115 HP 4-Stroke . . . . .2001 & Newer	▼ 900-1500 Models . . . . .Thru 1977
75 HP (2 & 4-Stroke) . . . . .1984 & Newer	125 HP . . . . .1994 & Newer	▼ 80 HP (Yamaha) . . . . .1977
75 HP (Sea Pro/Marathon) . . . . .All Years	140 HP (Includes Sea Pro & Offshore) 1978 - 81	▼ 80 HP (Mariner) . . . . .1978-83
80 HP . . . . .1978-89	▼ 650 4 Cyl. (2:1) . . . . .1961-70	

BOAT DESCRIPTION/LENGTH	VORTEX <sup>®</sup> XHS™ HIGH PERFORMANCE ALUMINUM PROPELLERS				APOLLO <sup>®</sup> XHS™ ULTIMATE PERFORMANCE STAINLESS STEEL PROPELLERS			
	3-BLADE WIDE				STD 3-BLADE			
	Dia.	Rot.	Pitch	Part No.	Dia.	Rot.	Pitch	Part No.
	14	R	13	992112				
16-18' - Runabouts, SK	13-3/4	R	15	992113	13-3/8	R	15	993143
16-18' - Runabouts, SK					13-3/8	L	15	993153
15-17' - Runabouts, SK	13-1/4	R	17	992114	13-1/4	R	17	993144
15-17' - Runabouts, SK					13-1/4	L	17	993154
14-16' - Runabouts, SK	13	R	19	992115	13-1/8	R	19	993145
14-16' - Runabouts, SK					13-1/8	L	19	993155
13-15' - Runabouts, SK	12-3/4	R	21	992116	13	R	21	993146
13-15' - Runabouts, SK					13	L	21	993156



Vortex XHS Aluminum Propeller



Apollo XHS Stainless Steel

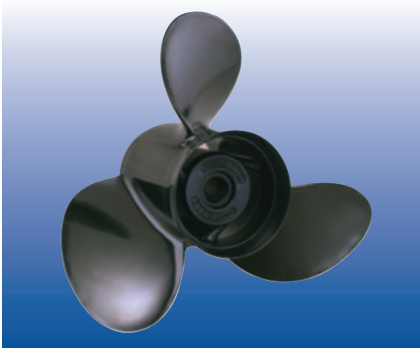
**Drop-In Hub**  
Use XHS™ Hub Kit **102**  
Use Gearcase Adapter Ring supplied with propeller.  
Refer to pages 39-40 for more details.

BOAT DESCRIPTION/LENGTH	MICHIGAN MATCH <sup>®</sup> REPLACEMENT PROPELLERS ALUMINUM PROPS							BALLISTIC <sup>™</sup> STAINLESS STEEL PROPS HIGH PERFORMANCE STAINLESS STEEL PROPELLERS									
	ALUMINUM PROPS							BALLISTIC					BALLISTIC XL				
	Dia.	Rot.	Pitch	Bld#	Mat'l	OEM Part No.	Part No.	Dia.	Rot.	Pitch	Bld#	Part No.	Dia.	Rot.	Pitch	Bld#	Part No.
25' & Up - AL	14	R	11	3	AL	48-77338A40	031054										
Pontoon	14	R	11	3	AL	48-77338CP1	◆ 031200										
25' & Up - AL	14	R	12	3	AL		031060										
Pontoon	14	R	12	3	AL		◆ 031201										
22' & Up - AL	14	R	13	3	AL	48-77340A40	031055										
Pontoon	14	R	13	3	AL	48-77340CP1	◆ 031202										
19-24' - AL, SK	13-3/4	R	15	3	AL	48-77342A40	031041	13-5/8	R	15	3	◆ 335130					
17-20' - AL, SK	13-1/4	R	17	3	AL	48-77344A40	031042	13-1/2	R	17	3	◆ 335131					
16-19' - AL, SK	13	R	19	3	AL	48-77346A40	031043	13-3/8	R	19	3	◆ 335132					
15-18' - AL, SK	12-3/4	R	21	3	AL	48-77348A40	031044	13-1/8	R	21	3	◆ 335133					
High Performance	12-1/2	R	23	3	AL	48-77350A40	◆ 031045						13-12	R	22	3	◆ 335134
High Performance													13-1/2	R	24	3	◆ 335135

**Rubber Hub Bushing**  
Use OEM fwd washer 13191 tab washer 14-816629 or MWC Kit 990332 or 9660-1  
See Page 22 for details.

Key to abbreviations: LL = Light Loads; SB = Sailboat; AL = All Loads; SK = Skiboat; WB = Workboat; HB = Houseboat; CR = Cruisers; HL = Heavy Loads; WD = Weedless

◆ To avoid damage or injury, replace standard trim tab with trim tab 822777A1. ▶ LIMITED INVENTORY ITEMS.  
▼ When using rubber hub propeller, use thrust washer 13191A1. ◆ New Pontoon Boat Propellers - Extended Cup!



**135-300 HORSEPOWER • V-6 (4-3/4") GEARCASE**

Thru Hub Exhaust & 15 Tooth Spline

135 HP .....1987 & Newer	220 HP .....1987-88	275 HP .....1990-94
150 HP .....1978 & Newer	225 HP .....1980 & Newer	300 HP .....1983, 1999 & Newer
175 HP .....1978 & Newer	225 HP (Sea Pro/Marathon) .....All Years	350 HP .....2008 & Newer
200 HP .....1978 & Newer	250 HP .....1994 & Newer	3.4 Litre .....1984-86



Includes DFI, EFI, Magnum, Offshore, Optimax, Sea Pro XRI, & Verado

Use thrust washer 13171 - (see note \*\*).

Add 4" pitch for twin motors

\* For engines 300 HP or higher, use "high horsepower sleeve".

See Page 39 for more details.

 HIGH PERFORMANCE ALUMINUM PROPELLERS				 ULTIMATE PERFORMANCE STAINLESS STEEL PROPELLERS															
3-BLADE				4-BLADE				STD 3-BLADE				LG. DIAMETER 3-BLADE				4-BLADE			
Dia.	Rot.	Pitch	Part No.	Dia.	Rot.	Pitch	Part No.	Dia.	Rot.	Pitch	Part No.	Dia.	Rot.	Pitch	Part No.	Dia.	Rot.	Pitch	Part No.
15-1/4	R	15	992002					14-3/8	R	15	993042								
15	R	17	992003	15	R	16	992202	14-3/8	L	15	993052								
14-1/2	R	19	992004	14-1/2	R	18	992203	14-1/4	R	17	993043	15-1/2	R	17	993023	14-5/8	R	16	993203
14-1/4	R	21	992005	14	R	20	992204	14-1/4	L	17	993053	15-1/2	L	17	993033	14-5/8	L	16	993213
14	R	23	992006					14-1/8	R	19	993044	15-1/4	R	19	993024	14-3/8	R	18	993204
								14-1/8	L	19	993054	15-1/4	L	19	993034	14-3/8	L	18	993214
								14	R	21	993045	14-3/4	R	21	993025	14-1/8	R	20	993205
								14	L	21	993055	14-3/4	L	21	993035	14-1/8	L	20	993215
								13-7/8	R	23	993046	14-5/8	R	23	993026	14	R	22	993206
								13-7/8	L	23	993056	14-5/8	L	23	993036	14	L	22	993216





Vortex XHS™ Aluminum Propeller



Apollo XHS™ Stainless Steel

**Drop-In Hub**  
Use XHS™ Hub Kit 102

Refer to pages 39-40 for more details.

BOAT DESCRIPTION/LENGTH	 ALUMINUM PROPS							 HIGH PERFORMANCE STAINLESS STEEL PROPELLERS									
	ALUMINUM PROPS							BALLISTIC				BALLISTIC XL					
	Dia.	Rot.	Pitch	Bld#	Mat'l	OEM Part No.	Part No.	Dia.	Rot.	Pitch	Bld#	Part No.	Dia.	Rot.	Pitch	Bld#	Part No.
CR, HB	16	R	12	3	AL	48-16436A40	031063										
CR, HB	16	R	13	3	AL	48-78114A40	031022										
22-25' - AL	16	R	14	3	AL	48-16438A40	031050										
21-24' - AL	15-1/4	R	15	3	AL	48-78116A40	031023	14-7/8	R	15	3	345131					
20-23' - AL, SK	16	R	16	3	AL	48+16440A40	031051										
19-23' - AL, SK	14-1/2	R	17	3	AL	48-78118A40	031024	14-3/4	R	17	3	345132					
19-23' - AL, SK	15	R	17	3	AL	48-832828A45	031064	14-3/4	L	17	3	345162					
19-22' - AL, SK	15-1/2	R	18	3	AL	48-11324A45	031052										
18-22' - AL, SK	14	R	19	3	AL	48-78120A40	031025	14-1/2	R	19	3	345133					
18-22' - AL, SK	14-1/2	R	19	3	AL	48-382830A45	031065	14-1/2	L	19	3	345163					
18-20' - AL, SK	13-3/4	R	21	3	AL	48-78122A40	031026	14-3/8	R	21	3	345134					
18-20' - AL, SK	14-1/4	R	21	3	AL	48-832832A45	031066	14-3/8	L	21	3	345164					
17-20' - AL, SK								14-1/4	R	23	3	345135					
17-20' - AL, SK								14-1/4	L	23	3	345165					
Up to 18'	13-3/8	R	25	3	AL	48-78126A40	031067	14-1/4	R	25	3	345136					
High Performance												14-1/2	R	22	3	345141	
High Performance												14-1/2	R	24	3	345137	
High Perf. (EFI Engine)												14	R	24	3	345139	
High Performance												14-1/2	R	26	3	345138	
High Perf. (EFI Engine)												14	R	26	3	345140	
<b>High Performance 4 Blade Propellers</b>																	
50-62 MPH												13-3/4	R	23	4	435135	
55-67 MPH												13-3/4	R	25	4	435136	
60-72 MPH												13-3/4	R	27	4	435137	

**Rubber Hub Bushing**

Use OEM fwd washer 12-835467 aft wash 12-31211A3 tab washer 14-816629 or MWC Kit 990312 or 9661-1

See Page 22 for details.

Key to abbreviations: LL = Light Loads; SB = Sailboat; AL = All Loads; SK = Skiboat; WB = Workboat; HB = Houseboat; CR = Cruisers; HL = Heavy Loads; WD = Weedless

♦ LIMITED INVENTORY ITEMS.      \*\* To avoid damage or injury, replace standard trim tab with trim tab 822777A1.  
\*\* 13171 Forward Thrust Washers are for 1983 & Newer applications (Michigan Match props only). This is equivalent to the 12-835467 indicated on page 22.

## Replacing a Flo-Torq™ Hub with Michigan Propellers

### Replacing a Flo-Torq II™ Drop In Hub Design with Michigan Propellers

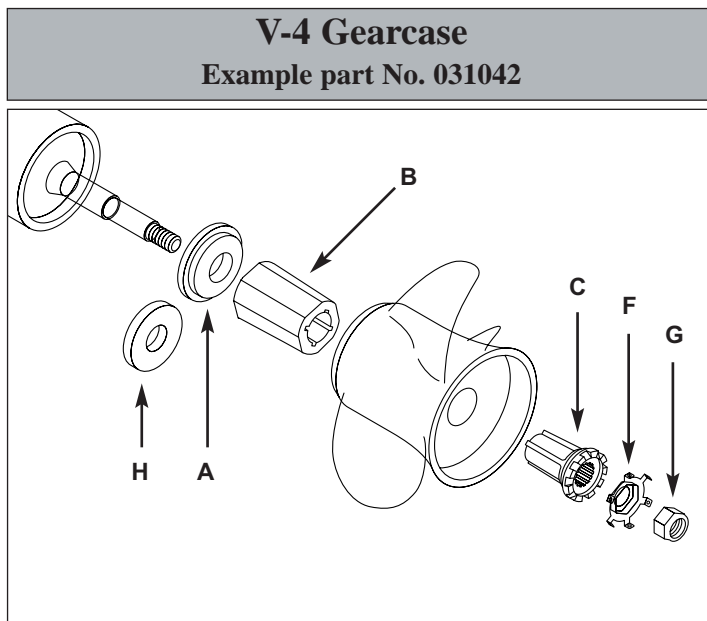
Propellers supplied from Mercury™, Mariner™ and Force® since 1996 come with Flo-Torq II™ drop in hubs equipped with attaching hardware A,B,C,F & G per the following illustrations. When switching to Michigan Match™ or Rapture™ propellers, change the attaching hardware set up as follows.

When converting to a Michigan Propeller on a **V-4 gearcase**, eliminate B & C, replace A with H and use existing hardware F & G.

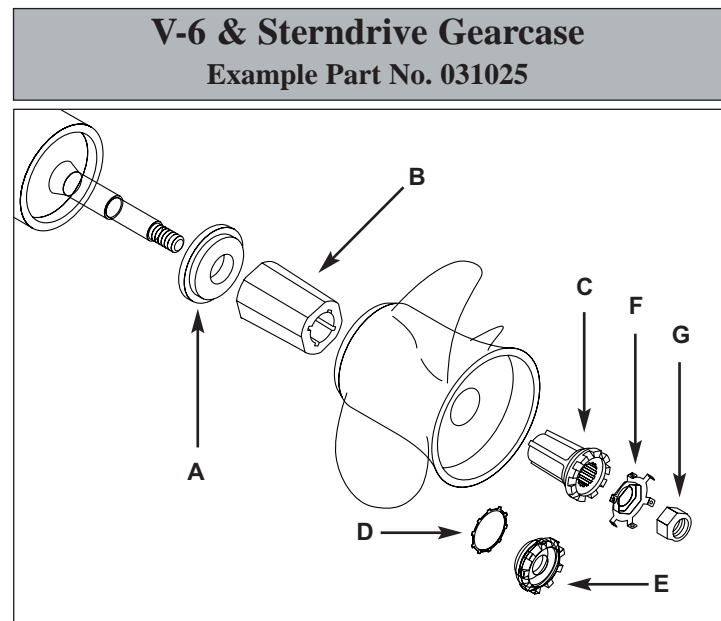
When converting to a Michigan Propeller on a **V-6 gearcase**, eliminate B & C and use A, D, E, F & G as attaching hardware (D & E replaces C). Be sure to use high-performance trim tab 822777A1 for Rapture™ installations.

Michigan Wheel offers the following attaching hardware kits for these installations:

- 990312 Includes D & E for the V-6 gearcase.
- 990332 Includes Forward Thrust Washer H for V-4 gearcase.
- 9661-1 Includes A, D, E, F & G for the V-6 gearcase.
- 9660-1 Includes H, F & G for the V-4 gearcase.



- A) 12-835467 Forward Thrust Washer
- B) 827703 Plastic Drive Sleeve
- C) 826074-1 Metal Sleeve adapter
- D) 13-42351-1 Conductivity (star) washer



- E) 12-31211A2 Aft Castle Thrust Washer
- F) 14-816629 Locking Tab Washer
- G) 11-827614 Shaft Prop Nut
- H) 13191A1 Forward Thrust Washer